

Sorbofil® GPE-S 950

– Overview –

Sorbofil® GPE-S 950 is a high efficient carbon filter for a treatment of gas. Thanks to a special construction appropriate contact time with a carbon bed is provided. HDPE construction allows to use the Sorbofil® GPE-S 950 in corrosive environment.

– Specification –

Diameter	1040 mm
Height	ok. 1515 mm
Material	PE-100
Bed volume	455 dm ³
Max. pressure	+40 mbar lub +120 mbar*

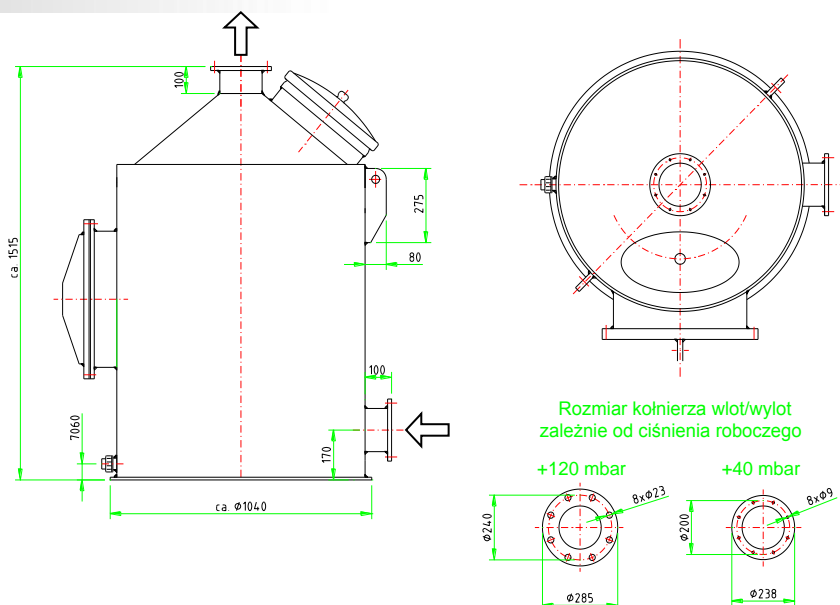
Additional

Inlet	DN160
Outlet	DN160
Optimal flow rate	350-750 m ³ /h
Filling	Depends on application

– Usage –

Filter should be placed on flat and paved surface. Carbon bed replacing through a top hatch.

– Specification –



* depends on a filter type some of the dimensions can differ slightly